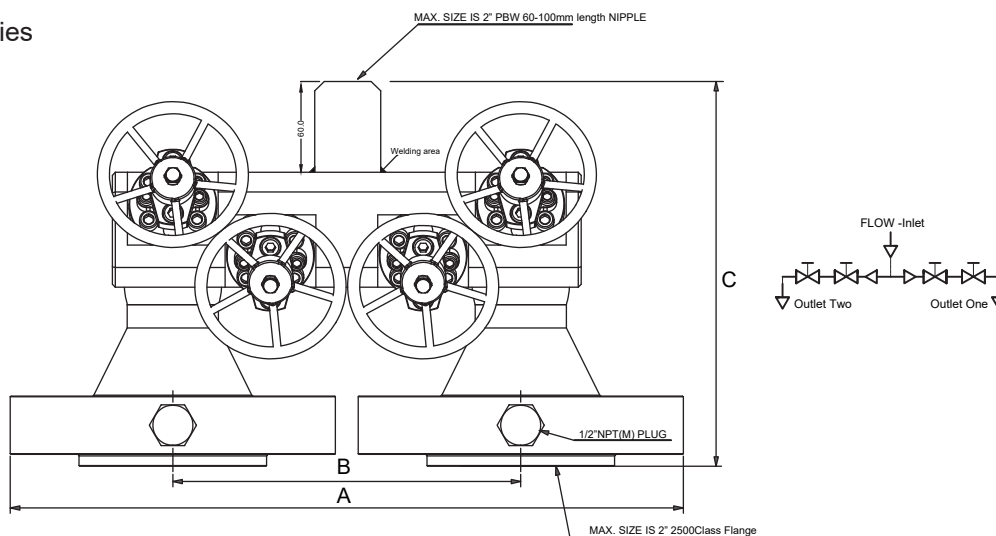


20493S Series



Basic Ordering Number	Connection Type and Size		Orifice (mm)	Cv	Dimensions(mm)		
	Inlet	Outlet			Max.A	B	C
20493S-90132-RJ24-15	2" PBW 160	1 1/2" RJ 1500LB	15.00	5.42	445.0	230.00	254.50
20493S-90132-RJ24-25	2" PBW XXS	1 1/2" RJ 2500LB					
20493S-90132-RJ32-15	2" PBW 160	2" RJ 1500LB					
20493S-90132-RJ32-25	2" PBW XXS	2" RJ 2500LB					

Features

- Design standards are referenced ASME B16.34, ASME B16.5, API602, ASME B16.25, ASME B16.11.
- One-Piece body with four double PSB-BG-OS&Y globe valves.
- Disc faced with STL.
- Non-Rotating disc is standard.
- The valve has a compact structure and a small size. Compared to traditional valves, it is lighter in weight and does not require additional support.
- Measurement becomes more accurate.
- Installation is more convenient.
- Each handwheel can be replaced independently.

Ordering Information

- Standard body material is 316 SS, and stem packing is PTFE for temperature services 250 °C, Class 2500. Add material designator designator as the suffix to the basic ordering number to get the complete ordering number. Example: 20493S-90132-RJ24-15-B100
- To order Graphite stem packing for temperature services 648 °C, add a designator as a suffix to the ordering number. Example: 20493S-90132-RJ24-15-B100-P30
- Contact the authorized representative or DECON if any request.

Material	Designator	Packing	Designator
316 SS	-B100	PTFE	-P10
304 SS	-B110	PEEK	-P20
321 SS	-B120	Graphite	-P30
Monel	-B270		